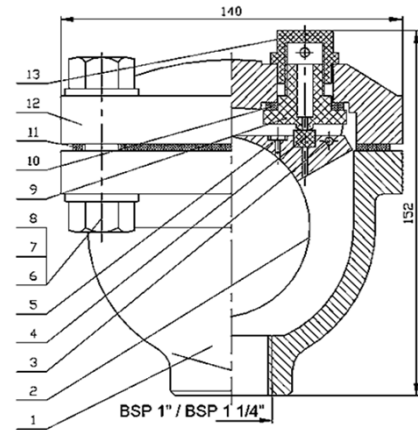


AUT

Single Ball Air Release Valve
PN6 / PN10 / PN16



Parts

Test

No	Part Name	Material	Standard	Grade	Normal pressure	PN6	PN10	PN16
1	Body	Ductile iron	BS 2789	500/7	Shell pressure	9bars	15bars	24bars
2	Ball Float	ABS	ISO 2580		Seat pressure	6.6bars	11bars	17.6bars
3	Fulcrum Pin	Carbon Steel	BS 1769		Max. Temp	70 °C		
4	Sealing Face	Synthetic Rubber	BS 2494	EPDM				
5	Bolt	Carbon Steel	BS 1769	A3				
6	Bolt	Carbon Steel	BS 1769	A3				
7	Washer	Carbon Steel	BS 1769					
8	Nut	Carbon Steel	BS 1769	A3				
9	Orifice Bracket	ABS	ISO 2580					
10	Minipad	Synthetic Rubber	BS 2494	EPDM				
11	Gasket	Synthetic Rubber	BS 2494	EPDM				
12	Bonnet	Ductile iron	BS 2789	500/7				
13	Orifice Cover	ABS	ISO 2580					

Designs

1	Design according to EN 1074-4
2	Inner female thread according to BSP
3	Flange drilled according to BS 4504 PN6, PN10, PN16
4	Inspection and test according to EN 12266
5	Internal and external coating by fusion bonded epoxy powder 250 micron thickness

Dimensions

Unit : mm

Single Air Release Valve Thread Type

BSP (Inner Female Thread)	Flange DN	Dia. of flange	Nos. of hole	Dia. of hole	P.C.D.
		PN6 / PN10 / PN16	PN6 / PN10 / PN16	PN6 / PN10 / PN16	PN6 / PN10 / PN16
1" / 1 1/4"	80	190 / 200 / 200	4 / 4 / 8	18 / 18 / 18	150 / 160 / 160
1" / 1 1/4"	150	265 / 285 / 285	8 / 8 / 8	18 / 23 / 23	225 / 240 / 240
1" / 1 1/4"	300	440 / 445 / 460	12 / 12 / 12	23 / 23 / 27	395 / 400 / 410

AUT RESOURCES SDN BHD (768928D)
 43 GREEN DRIVE 11600 PENANG MALAYSIA
 PHONE : 60124210032, 60124238009 FAX : 6046439708
 E-mail : access_utrade@yahoo.com. / write2us@autresources.com
<http://www.autresources.com/>