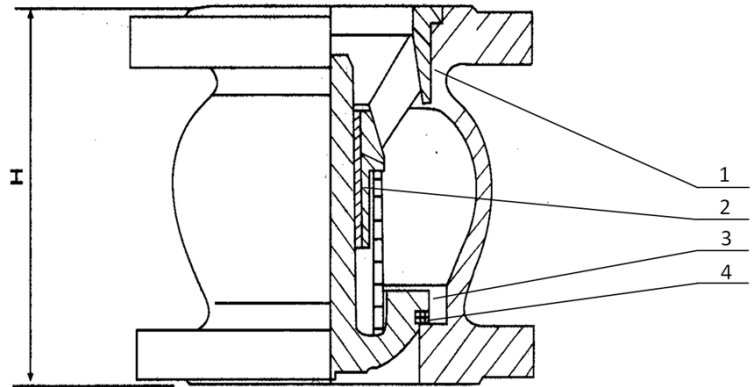


# AUT

Resilient Seat Silient Check Valve  
ISO PN10 / PN16 / PN25



Parts					Test			
No.	Parts name	Material	Standard	Grade	Norminal pressure	PN10	PN16	PN25
1	Body	Ductile iron	BS 2789	500/7	Shell pressure	15bars	24bars	37.5bars
2	Disc Spring	Stainless steel	BS 970 - part 1	431S29	Seat pressure	11bars	17.6bars	27.5bars
3	Disc	Ductile iron	BS 2789	500/7	Max .Temp	70 °C		
4	Disc Seat	Synthetic Rubber	BS 2494	EPDM				

Designs	
1	Design according to ISO standard
2	Flange drilled according to BS 4504 PN10 , PN16 , PN25 or BS10 TABLE - E
3	Inspection and test according to BS 6755
4	Internal and external coating by fusion bonded epoxy powder 250 micron thickness

Dimensions		Unit : mm			
DN	H	Dimensions of flange (PN10 / PN16 / PN25)			
		Dia. of flange	Nos. of hole	Dia. of hole	P.C.D.
		PN10 / PN16 / PN25	PN10 / PN16 / PN25	PN10 / PN16 / PN25	PN10 / PN16 / PN25
50	100	165 / 165 / 165	4 / 4 / 4	18 / 18 / 18	125 / 125 / 125
65	120	185 / 185 / 185	4 / 4 / 8	18 / 18 / 18	145 / 145 / 145
80	140	200 / 200 / 200	8 / 8 / 8	18 / 18 / 18	160 / 160 / 160
100	170	220 / 220 / 235	8 / 8 / 8	18 / 18 / 23	180 / 180 / 190
125	200	250 / 250 / 270	8 / 8 / 8	18 / 18 / 27	210 / 210 / 220
150	230	285 / 285 / 300	8 / 8 / 8	22 / 22 / 27	240 / 240 / 250
200	288	340 / 340 / 360	8 / 12 / 12	22 / 26 / 27	295 / 295 / 310
250	300	395 / 405 / 425	12 / 12 / 12	22 / 26 / 30	350 / 355 / 370
300	410	445 / 460 / 485	12 / 12 / 16	22 / 26 / 30	400 / 410 / 430

**AUT RESOURCES SDN BHD (768928D)**  
 43 GREEN DRIVE 11600 PENANG MALAYSIA  
 PHONE : 60124210032, 60124238009 FAX : 6046439708  
 E-mail : access\_utrade@yahoo.com. / write2us@autresources.com  
<http://www.autresources.com/>