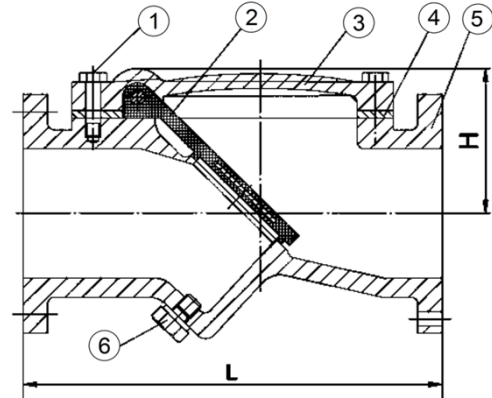


AUT

Resilient Seat Swing Check Valve BS5153 PN10 / PN16
(45 degree)



Parts					Test			
No.	Parts name	Material	Standard	Grade	Norminal pressure	PN10	PN16	
1	Bolts	Carbon steel	BS 1769	A3	Shell pressure	15bars	24bars	
2	Bonnet	Ductile iron	BS 2789	500/7	Seat pressure	11bars	17.6bars	
3	Body	Ductile iron	BS 2789	500/7	Max .Temp	70 °C		
4	Disc	Ductile iron covered rubber	BS 2789 / BS 2494	500/7 / EPDM				
5	Plug	Carbon steel	BS 1769	A3				

Designs	
1	Design according to BS 5153
2	Flange face to face according to ANSI B16.10 / BS 1868
3	Flange drilled according to BS 4504 PN10, PN16
4	Inspection and test according to BS 6755
5	Internal and external coating by fusion bonded epoxy powder 250 micron thickness

Dimensions							Unit : mm
DN	L	H	Dimensions of flange (PN10 / PN16)				
			Dia. of flange	Nos. of hole	Dia. of hole	P.C.D.	
			PN10 / PN16	PN10 / PN16	PN10 / PN16	PN10 / PN16	
50	203	86	152 / 152	4 / 4	19 / 19	121 / 121	
65	216	90	178 / 178	4 / 4	19 / 19	139 / 139	
80	241	98	191 / 191	4 / 4	19 / 19	152 / 152	
100	292	117	229 / 229	8 / 8	19 / 19	191 / 191	
125	330	130	254 / 254	8 / 8	22 / 22	216 / 216	
150	356	149	279 / 279	8 / 8	22 / 22	241 / 241	
200	495	194	343 / 343	8 / 8	22 / 22	298 / 298	
250	622	252	406 / 406	12 / 12	25 / 25	362 / 362	
300	698	310	483 / 483	12 / 12	25 / 25	432 / 432	
350	787	328	505 / 520	16 / 16	22 / 26	460 / 470	
400	914	360	565 / 580	16 / 16	26 / 30	515 / 525	
450	978	412	615 / 640	20 / 20	26 / 30	565 / 585	
500	978	481	670 / 715	20 / 20	26 / 34	615 / 650	

AUT RESOURCES SDN BHD (768928D)
 43 GREEN DRIVE 11600 PENANG MALAYSIA
 PHONE : 60124210032, 60124238009 FAX : 6046439708
 E-mail : access_utrade@yahoo.com. / write2us@autresources.com
<http://www.autresources.com/>